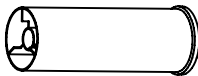


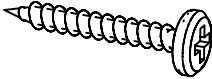
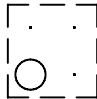


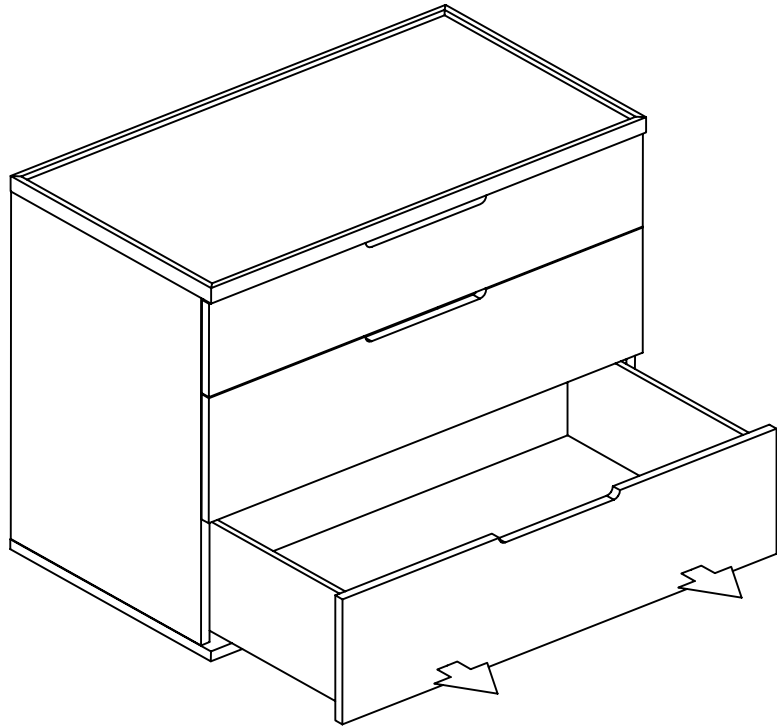
⚠ WARNING

To avoid the hazard of the chest falling over caused by a child pulling or hanging from an open drawer, you **MUST** attach the dresser to the wall using the **safety strap** at the back of the dresser. Follow the instructions included in the manual.

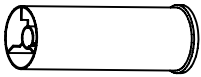
E66		x4
B81	 ø8x40	x1

B49		x1
C43	 ø4x50	x1
B25		x6

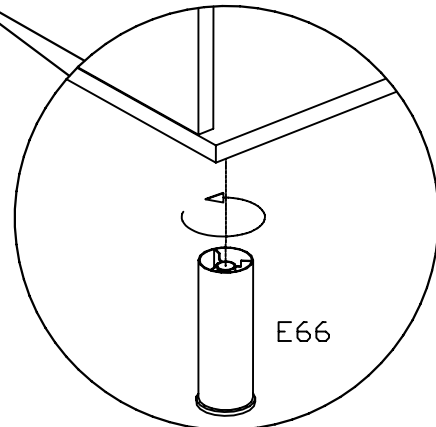
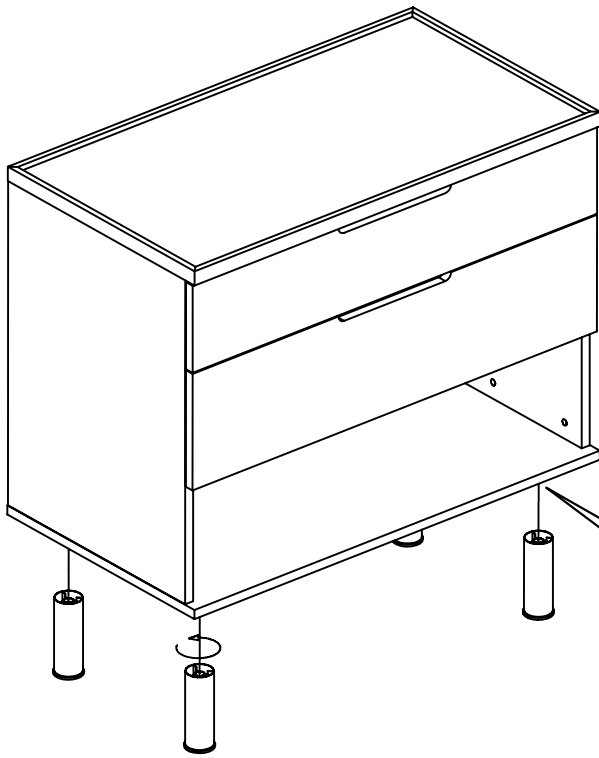
62548



E66

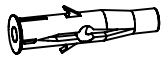


x4



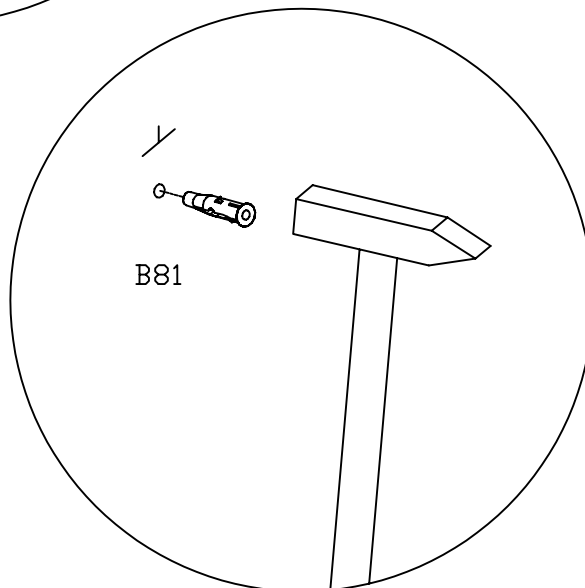
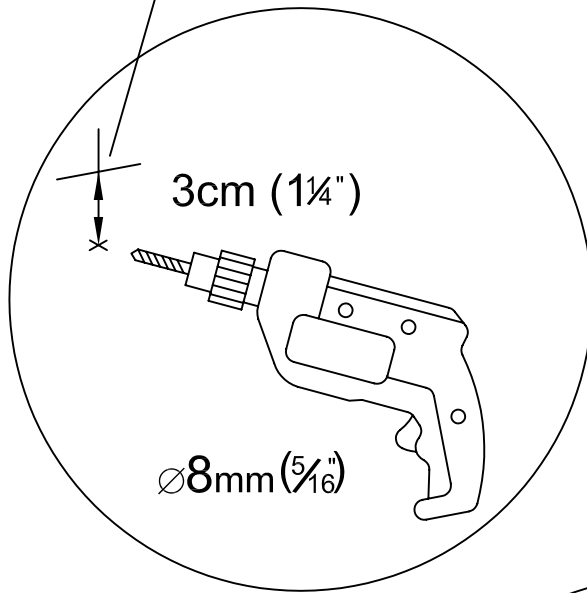
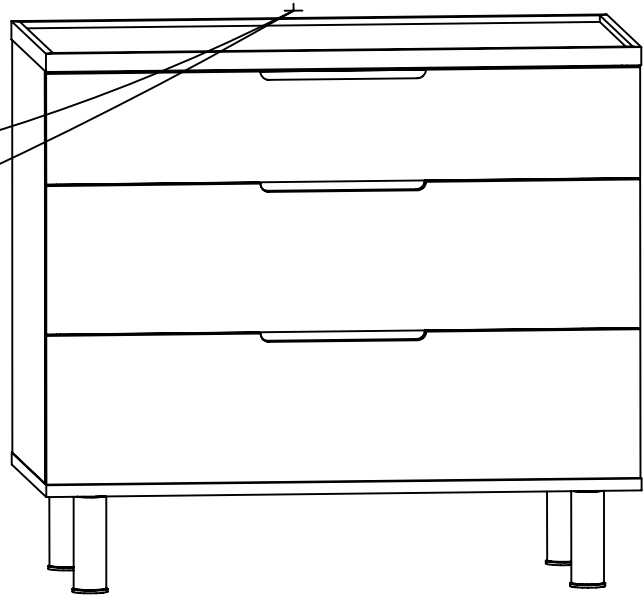
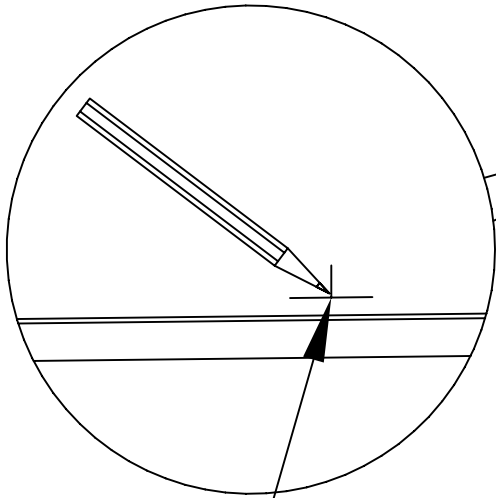
62548


B81

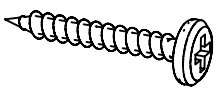


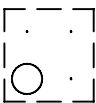
ø8x40

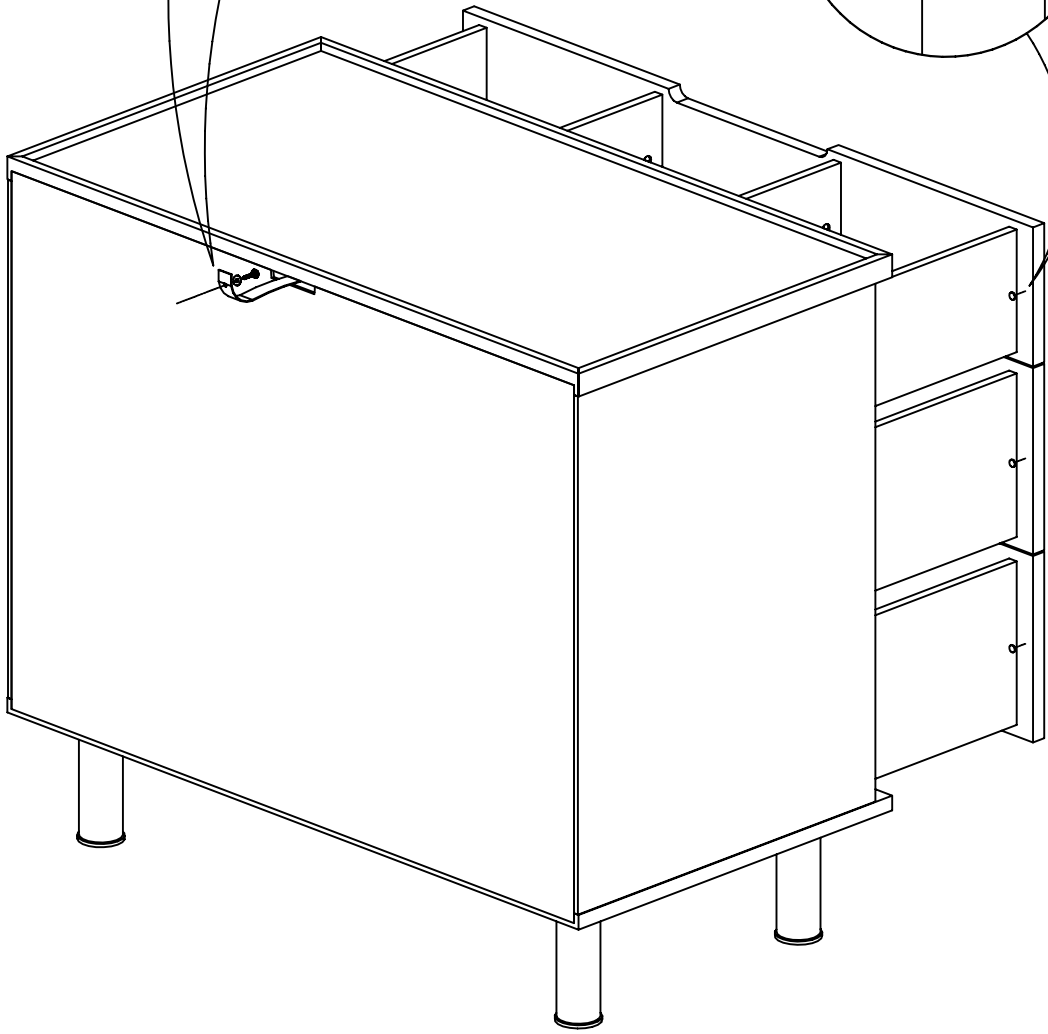
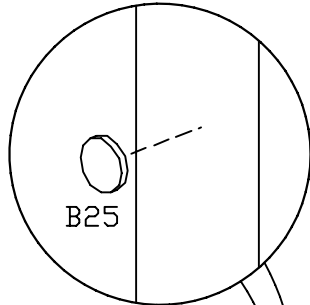
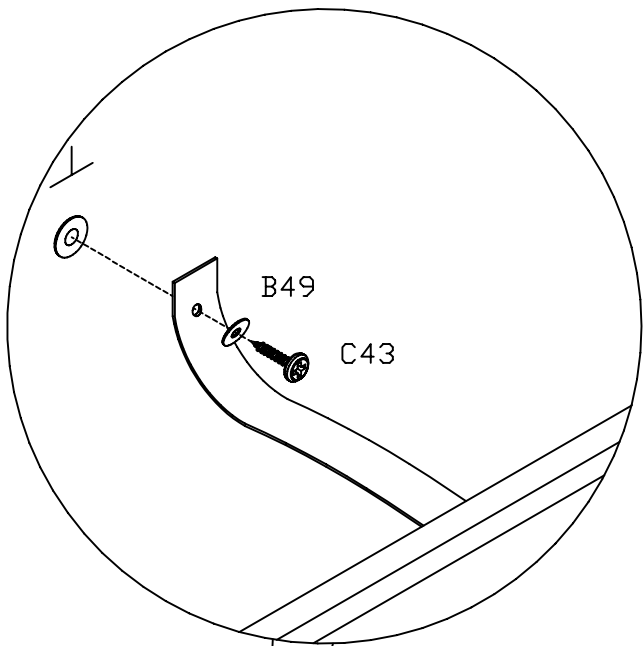
x1



B49		x1
-----	---	----

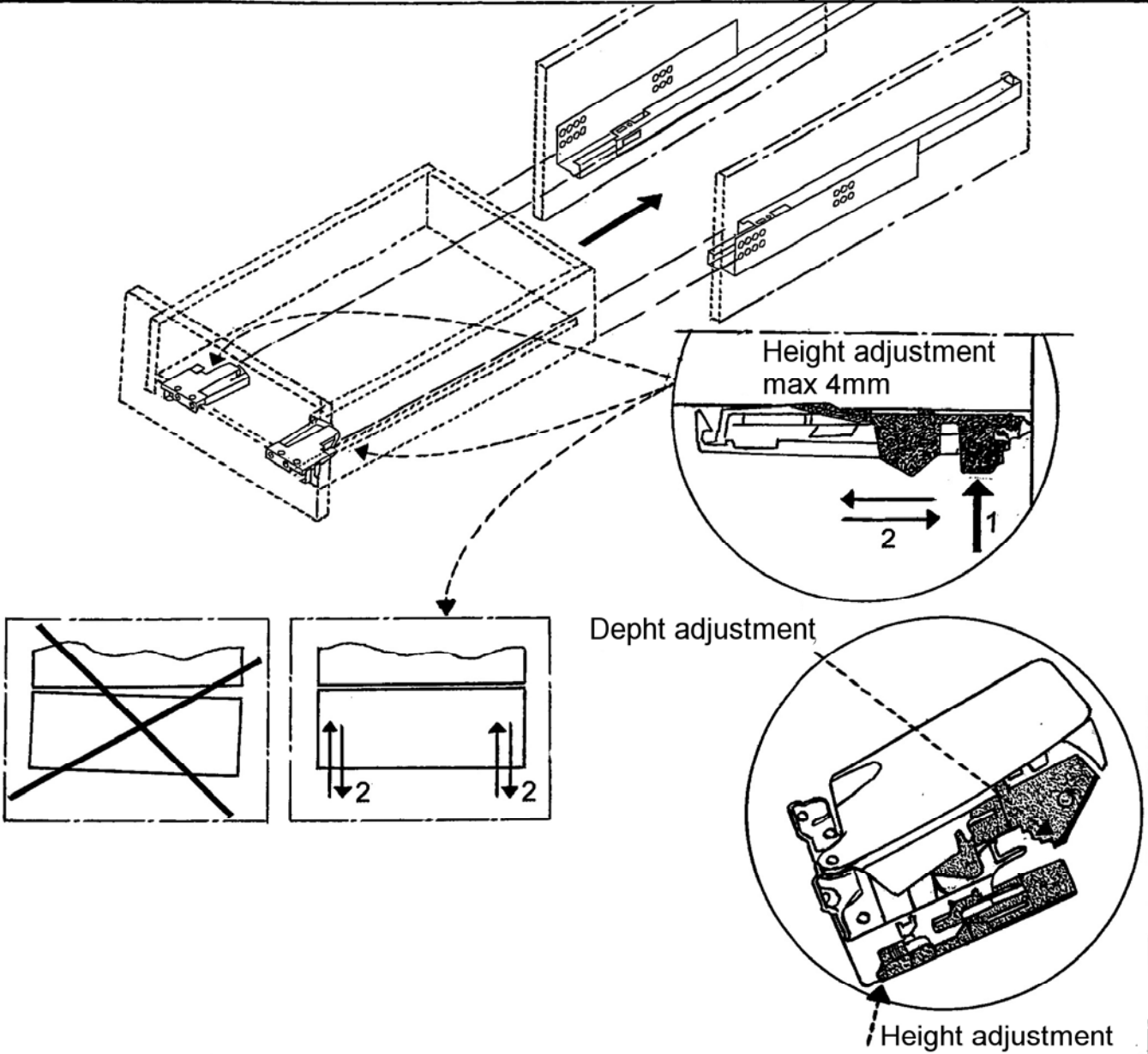
C43	 $\phi 4 \times 50$	x1
-----	---	----

B25		x6
-----	--	----



62548

To re-insert a drawer



To remove a drawer

